

# **EANCOM<sup>®</sup> 2002 S3**

## **PROINQ**

### **Product inquiry message**

#### **Edition 2016**

|                                  |    |
|----------------------------------|----|
| 1. Introduction.....             | 2  |
| 2. Message Structure Chart ..... | 3  |
| 3. Branching Diagram.....        | 4  |
| 4. Segments Description .....    | 7  |
| 5. Segments Layout.....          | 9  |
| 6. Example(s) .....              | 39 |

## 1. Introduction

---

### Status

MESSAGE TYPE : PROINQ  
REFERENCE DIRECTORY : D.01B  
EANCOM® SUBSET VERSION : 004

### Definition

A message enabling the sender to inquire on a product or group of products from a master product catalogue according to criteria defined in the message.

### Principles

The message usually relates to a manufacturer and/or supplier of goods and a buyer, or their respective agents.

The buyer may specify in the message the attributes of a product or group of products for which it is interested in receiving additional information. This will allow a manufacturer and/or supplier to send the buyer only information for those products the buyer is specifically interested in rather than the entire product catalogue.

The Product Inquiry message may request information in order to:

- select a specific group or family of products from a suppliers entire product catalogue, e.g. a buyer requesting from a supplier of medical equipment all product information related to sterilised products.
- select a product or group of products according to attributes or product characteristics as defined by the sender in the message, e.g. a retailer requesting a clothing manufacturer to send product information for all blue, white or striped men's shirts, sizes medium to extra-large.
- determine the availability, lead-time and/or general commercial/sales conditions for a specific product.

The response to a Product Inquiry message will be either a Price/Sales Catalogue (PRICAT) or Product Data (PRODAT) message, or both.

## 2. Message Structure Chart

---

### Product Inquiry Heading Section

|     |   |   |    |                         |
|-----|---|---|----|-------------------------|
| UNH | 1 | M | 1  | - Message header        |
| BGM | 2 | M | 1  | - Beginning of message  |
| DTM | 3 | M | 9  | - Date/time/period      |
| CUX | 4 | C | 1  | - Currencies            |
| SG1 |   | M | 99 | - NAD-SG2               |
| NAD | 5 | M | 1  | - Name and address      |
| SG2 |   | C | 9  | - CTA-COM               |
| CTA | 6 | M | 1  | - Contact information   |
| COM | 7 | C | 9  | - Communication contact |
| SG3 |   | C | 9  | - RFF-DTM               |
| RFF | 8 | M | 1  | - Reference             |
| DTM | 9 | C | 9  | - Date/time/period      |

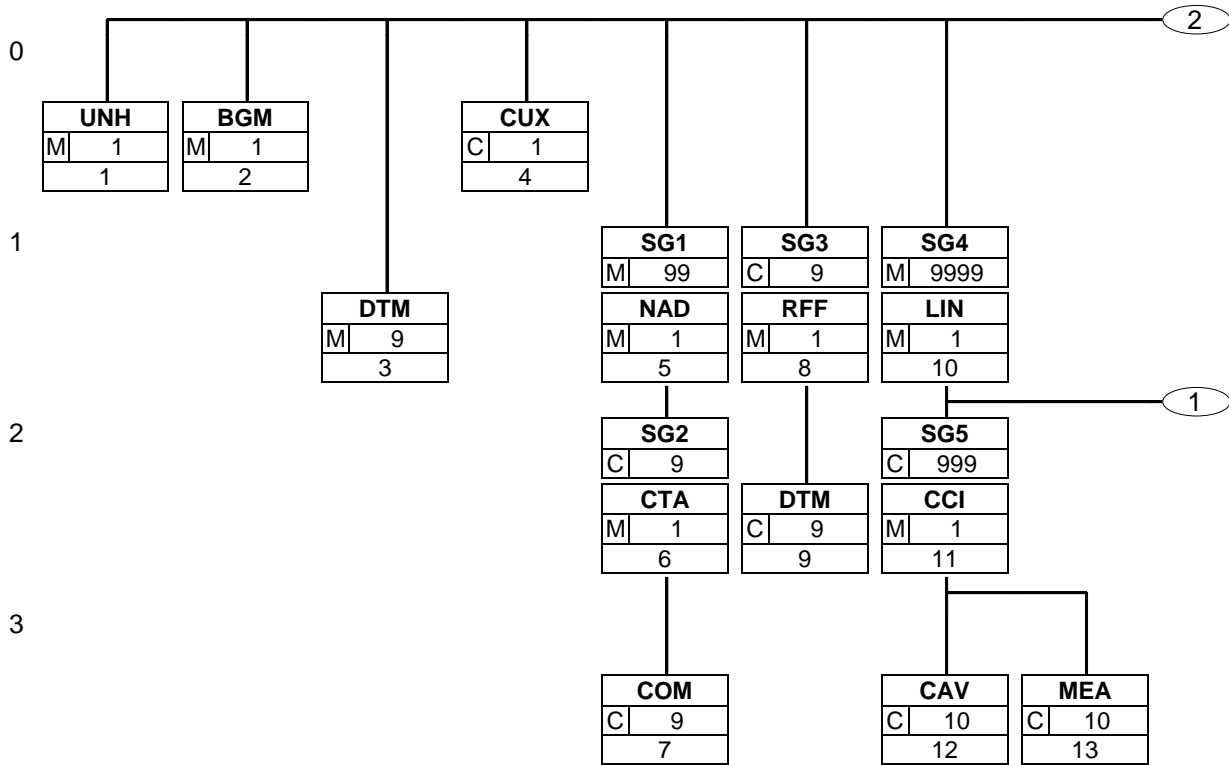
### Product Inquiry Detail Section

|     |    |    |      |                               |
|-----|----|----|------|-------------------------------|
| SG4 |    | M  | 9999 | - LIN-SG5-SG6                 |
| LIN | 10 | M  | 1    | - Line item                   |
| SG5 | +  | C  | 999  | - CCI-CAV-MEA                 |
| CCI | +  | 11 | M 1  | - Characteristic/class id     |
| CAV | +  | 12 | C 10 | - Characteristic value        |
| MEA | +  | 13 | C 10 | - Measurements                |
| SG6 |    | C  | 9999 | - IRQ-PIA-MEA-NAD-PGI-DTM-SG7 |
| IRQ | 14 | M  | 1    | - Information required        |
| PIA | 15 | C  | 10   | - Additional product id       |
| MEA | 16 | C  | 10   | - Measurements                |
| NAD | 17 | C  | 10   | - Name and address            |
| PGI | 18 | C  | 9    | - Product group information   |
| DTM | 19 | C  | 5    | - Date/time/period            |
| SG7 |    | C  | 10   | - PRI-RNG                     |
| PRI | 20 | M  | 1    | - Price details               |
| RNG | 21 | C  | 1    | - Range details               |

### Product Inquiry Summary Section

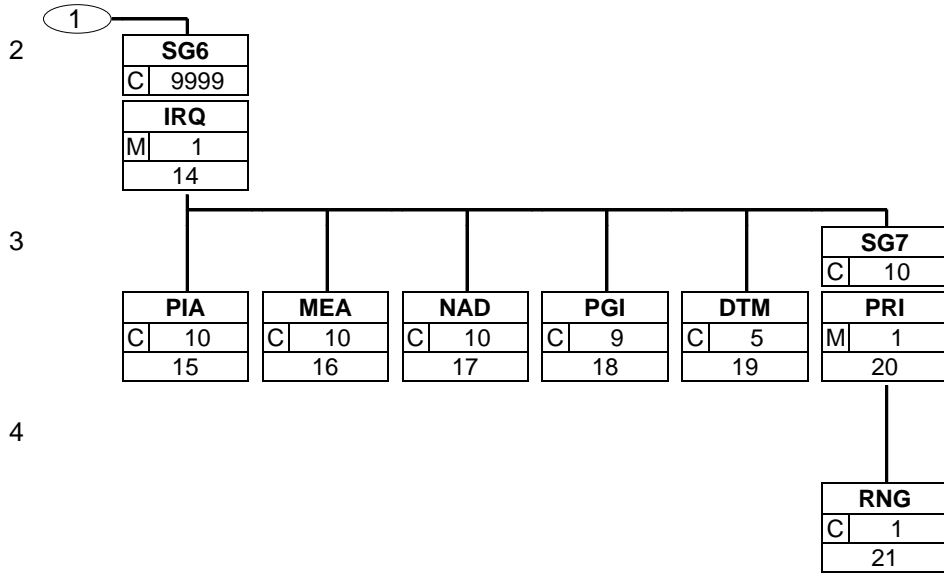
|     |    |   |   |                   |
|-----|----|---|---|-------------------|
| UNT | 22 | M | 1 | - Message trailer |
|-----|----|---|---|-------------------|

### 3. Branching Diagram



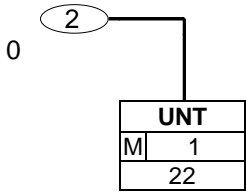
### 3. Branching Diagram

---



### 3. Branching Diagram

---



## 4. Segments Description

---

### Product Inquiry Heading Section

- UNH - M 1 - Message header  
This segment is used to head, identify and specify a message.
- BGM - M 1 - Beginning of message  
This segment is used to indicate the type and function of the message and to transmit the identifying number.
- DTM - M 9 - Date/time/period  
This segment is used to specify the date of the product inquiry or any dates related to the contents of the message.
- CUX - C 1 - Currencies  
This segment is used to identify the currency which is required in a responding price/sales catalogue message.
- SG1 - M 99 - NAD-SG2**  
A group of segments identifying the parties with associated information relevant to the whole Product inquiry message.
- NAD - M 1 - Name and address  
This segment is used to identify the trading partners involved in the product inquiry message. Identification of the supplier and buyer, or the central catalogue or data base, is mandatory in the product inquiry message.
- SG2 - C 9 - CTA-COM**  
A group of segments giving contact details of the specific person or department within the party identified in NAD segment.
- CTA - M 1 - Contact information  
This segment is used to identify contact departments or names within the party specified in the NAD segment.
- COM - C 9 - Communication contact  
This segment identifies the communications number and type of communications, for the person or department identified in the preceding CTA segment.
- SG3 - C 9 - RFF-DTM**  
A group of segments for giving references and where necessary, their dates, relating to the whole message e.g. contract number.
- RFF - M 1 - Reference  
This segment is used to provide reference numbers which will apply to the whole message.
- DTM - C 9 - Date/time/period  
This segment is used to specify dates relating to the references given in the previous RFF segment.

### Product Inquiry Detail Section

- SG4 - M 9999 - LIN-SG5-SG6**  
A group of segments identifying the product or attributes of the product for which information is required.
- LIN - M 1 - Line item  
This segment is used to specify the inquiry request line and if available, the identification of the product or service for which the inquiry is being made.
- SG5 - C 999 - CCI-CAV-MEA**  
A group of segments providing common product characteristic and common characteristic details.

#### 4. Segments Description

---

|                     |  |
|---------------------|--|
| CCI - M 1           | - Characteristic/class id<br>This segment is used to specify any characteristics which apply to all the products in the inquiry request.   |
| CAV - C 10          | - Characteristic value<br>This segment is used to further specify product characteristics which apply to all the products in the line request.   |
| MEA - C 10          | - Measurements<br>This segment is used to specify any measurements related to the currently identified product characteristic class.   |
| <b>SG6 - C 9999</b> | <b>- IRQ-PIA-MEA-NAD-PGI-DTM-SG7</b><br>A group of segments specifying the type of requested information and optionally product identification(s), measurements, parties related to the product, dates and price ranges.   |
| IRQ - M 1           | - Information required<br>This segment is used to specify the type of information which is requested in return for all the products detailed in the LIN - segment or SG5.  |
| PIA - C 10          | - Additional product id<br>This segment is used to request additional product identifications which may exist for the product being inquired upon.   |
| MEA - C 10          | - Measurements<br>This segment is used to request measurement information relevant for the current line item.  |
| NAD - C 10          | - Name and address<br>This segment is used to request or provide information regarding any parties related to the current line item only, e.g., manufacturer, distributor.   |
| PGI - C 9           | - Product group information<br>This segment is used to request product or price group information for the current line item.   |
| DTM - C 5           | - Date/time/period<br>This segment is used to request information on any dates relevant to the current line item.  |
| <b>SG7 - C 10</b>   | <b>- PRI-RNG</b><br>A group of segments providing pricing information and price ranges for the product identified in the detail section.   |
| PRI - M 1           | - Price details<br>This segment is used to request pricing information for the current line item.  |
| RNG - C 1           | - Range details<br>This segment is used to specify price ranges for the current line item. The type of price for which the range is required is specified in the previous PRI segment. The message sender would use this segment to request only information for products which fall within the specified range. |

#### Product Inquiry Summary Section

|           |   |
|-----------|---|
| UNT - M 1 | - Message trailer<br>This segment is a mandatory UN/EDIFACT segment. It must always be the last segment in the message. |
|-----------|---|



## 5. Segments Layout

---

This section describes each segment used in the EANCOM® Product inquiry message. The original EDIFACT segment layout is listed. The appropriate comments relevant to the EANCOM® subset are indicated.

### Notes:

1. The segments are presented in the sequence in which they appear in the message. The segment or segment group tag is followed by the (M)andatory / (C)onditional indicator, the maximum number of occurrences and the segment description.
2. Reading from left to right, in column one, the data element tags and descriptions are shown, followed by in the second column the EDIFACT status (M or C), the field format, and the picture of the data elements. These first pieces of information constitute the original EDIFACT segment layout.

Following the EDIFACT information, EANCOM® specific information is provided in the third, fourth, and fifth columns. In the third column a status indicator for the use of (C)onditional EDIFACT data elements (see 2.1 through 2.3 below), in the fourth column the restricted indicator (see point 3 on the following page), and in the fifth column notes and code values used for specific data elements in the message.

- 2.1 (M)andatory data elements in EDIFACT segments retain their status in EANCOM®.
- 2.2 Additionally, there are five types of status for data elements with a (C)onditional EDIFACT status, whether for simple, component or composite data elements. These are listed below and can be identified when relevant by the following abbreviations:

|             |          |  |
|-------------|----------|--|
| - REQUIRED  | <b>R</b> | Indicates that the entity is required and must be sent.  |
| - ADVISED   | <b>A</b> | Indicates that the entity is advised or recommended.   |
| - DEPENDENT | <b>D</b> | Indicates that the entity must be sent in certain conditions, as defined by the relevant explanatory note. |
| - OPTIONAL  | <b>O</b> | Indicates that the entity is optional and may be sent at the discretion of the user.                       |
| - NOT USED  | <b>N</b> | Indicates that the entity is not used and should be omitted.   |

- 2.3 If a composite is flagged as **N, NOT USED**, all data elements within that composite will have blank status indicators assigned to them.
3. Status indicators detailed in the fourth column which directly relate to the code values detailed in the fifth **column** may have two values:

|              |   |   |
|--------------|---|---|
| - RESTRICTED | * | A data element marked with an asterisk (*) in the fourth column indicates that the listed codes in column five are the only codes available for use with this data element, in this segment, in this message.   |
| - OPEN       |   | All data elements where coded representation of data is possible and a restricted set of code values is not indicated are open (no asterisk in fourth column). The available codes are listed in the EANCOM® Data Elements and Code Sets Directory. Code values may be given as examples or there may be a note on the format or type of code to be used. |

4. Different colours are used for the code values in the segment details: restricted codes are in red and open codes in blue.

### 5. Segments Layout

Segment number: 1

| UNH - M 1 - Message header  |                           |          |     |   |  |
|---|---------------------------|----------|-----|---|--|
| Function:<br>To head, identify and specify a message.   |                           |          |     |   |  |
|   |                           | EDIFACT  | GS1 | * | Description  |
| 0062  | Message reference number  | M an..14 | M   |   | Senders unique message reference. Sequence number of the messages in the interchange. DE 0062 in the UNT will be identical. Sender generated.        |
| S009  | MESSAGE IDENTIFIER        | M        | M   |   |  |
| 0065  | Message type              | M an..6  | M   | * | PROINQ = <b>Product inquiry message</b>  |
| 0052  | Message version number    | M an..3  | M   | * | D = <b>Draft version/UN/EDIFACT Directory</b>  |
| 0054  | Message release number    | M an..3  | M   | * | 01B = <b>Release 2001 - B</b>  |
| 0051  | Controlling agency        | M an..2  | M   | * | UN = <b>UN/CEFACT</b>  |
| 0057  | Association assigned code | C an..6  | R   | * | EAN004 = <b>GS1 version control number (GS1 Permanent Code)</b><br>Indicates that the message is the EANCOM version 004 of the UNSM Product Inquiry. |
| 0068  | Common access reference   | C an..35 | N   |   |  |
| S010  | STATUS OF THE TRANSFER    | C        | N   |   |  |
| 0070  | Sequence of transfers     | M n..2   |     |   |  |
| 0073  | First and last transfer   | C a1     |     |   |  |
| <p>Segment Notes:</p> <p>This segment is used to head, identify and specify a message.<br/>         DE's 0065, 0052, and 0054: Indicates that the message is a UNSM Product Inquiry message based on the EDIFACT D.01B directory.</p> <p>Example:<br/>         UNH+ME000001+PROINQ:D:01B:UN:EAN004'</p> |                           |          |     |   |  |

## 5. Segments Layout

Segment number: 2

| BGM - M 1 - Beginning of message  |                                   |          |     |   |  |
|---|-----------------------------------|----------|-----|---|--|
| Function:<br>To indicate the type and function of a message and to transmit the identifying number. |                                   |          |     |   |  |
|   |                                   | EDIFACT  | GS1 | * | Description  |
| C002  | DOCUMENT/MESSAGE NAME             | C        | R   |   |  |
| 1001  | Document name code                | C an..3  | R   | * | 251 = Inquiry<br>376 = Standing inquiry on product information<br>76C = Standing inquiry on complete product information (GS1 Temporary Code)<br>376 = Standing inquiry on product information - A standing product inquiry implies that the supplier will send both a one-time download and notification of all future changes to the requested trade item until the standing request is deleted. A standing product inquiry can only be modified by deleting the original request and initiating a new request.  |
| 1131  | Code list identification code     | C an..17 | N   |   |  |
| 3055  | Code list responsible agency code | C an..3  | R   | * | 9 = GS1  |
| 1000  | Document name                     | C an..35 | O   |   |  |
| C106  | DOCUMENT/MESSAGE IDENTIFICATION   | C        | R   |   |  |
| 1004  | Document identifier               | C an..35 | R   |   | Product Inquiry number assigned by the document sender.<br>For global unique identification of documents Global Document Type Identifier (GDTI) is available.  |
| 1056  | Version identifier                | C an..9  | N   |   |  |
| 1060  | Revision identifier               | C an..6  | N   |   |  |
| 1225  | Message function code             | C an..3  | R   | * | 1 = Cancellation<br>3 = Deletion<br>9 = Original<br>The message function, coded is a critical data element in this segment. It applies to all data indicated in the message. The following definitions apply for the restricted codes:<br>1= Cancellation - A cancellation of an entire previously sent product inquiry message. The number of the product inquiry being cancelled is specified in the RFF segment.<br>3 = Deletion - A deletion of partial data previously sent in a product inquiry message. The reference to the previous product inquiry message is specified in the RFF segment.<br>9 = Original - An original transmission of a product inquiry message. |
| 4343  | Response type code                | C an..3  | N   |   |  |

## **5. Segments Layout**

---

**Segment Notes:**

This segment is used to indicate the type and function of the message and to transmit the identifying number.  
All references other than the document number DE 1004 are to be put in the RFF segment.

**Example:**

## 5. Segments Layout

---

Segment number: 2

|                   |
|-------------------|
| BGM+251::9+214+9' |
|-------------------|

### 5. Segments Layout

Segment number: 3

| <b>DTM</b> - M 9 - Date/time/period  |  |          |     |   |  |
|--|--|----------|-----|---|--|
| Function:<br>To specify date, and/or time, or period.  |  |          |     |   |  |
|  |  | EDIFACT  | GS1 | * | Description  |
| C507   | DATE/TIME/PERIOD                               | M        | M   |   |  |
| 2005   | Date or time or period function code qualifier | Man..3   | M   |   | 2 = <a href="#">Delivery date/time, requested</a><br>7 = <a href="#">Effective date/time</a><br>137 = <a href="#">Document/message date/time</a> |
| 2380   | Date or time or period value                   | C an..35 | R   |   |  |
| 2379   | Date or time or period format code             | C an..3  | R   |   | 102 = <a href="#">CCYYMMDD</a><br>203 = <a href="#">CCYYMMDDHHMM</a><br>718 = <a href="#">CCYYMMDD-CCYYMMDD</a>                                  |
| Segment Notes:   |  |          |     |   |  |
| This segment is used to specify the date of the product inquiry or any dates related to the contents of the message. |  |          |     |   |  |
| DE 2005: Identification of the 'Document/message date/time' (code value 137) is mandatory in an EANCOM message.      |  |          |     |   |  |
| Example:<br>DTM+137:20020615:102'  |  |          |     |   |  |

### 5. Segments Layout

Segment number: 4

| CUX - C 1 - Currencies   |  |         |   |                           |
|--|--|---------|---|---------------------------|
| Function:<br>To specify currencies used in the transaction and relevant details for the rate of exchange.  |  |         |   |                           |
|  | EDIFACT                                  | GS1     | * | Description               |
| C504   | CURRENCY DETAILS                         | C       | R |                           |
| 6347   | Currency usage code qualifier            | Man..3  | M | * 2 = Reference currency  |
| 6345   | Currency identification code             | C an..3 | R | ISO 4217 three alpha      |
| 6343   | Currency type code qualifier             | C an..3 | R | * 8 = Price list currency |
| 6348   | Currency rate value                      | C n..4  | N |                           |
| C504   | CURRENCY DETAILS                         | C       | N |                           |
| 6347   | Currency usage code qualifier            | Man..3  |   |                           |
| 6345   | Currency identification code             | C an..3 |   |                           |
| 6343   | Currency type code qualifier             | C an..3 |   |                           |
| 6348   | Currency rate value                      | C n..4  |   |                           |
| 5402   | Currency exchange rate                   | C n..12 | N |                           |
| 6341   | Exchange rate currency market identifier | C an..3 | N |                           |
| Segment Notes:<br>This segment is used to identify the currency which is required in a responding price/sales catalogue message.<br><br>Example:<br>CUX+2:EUR:8' |  |         |   |                           |

## 5. Segments Layout

Segment number: 5

| <b>SG1</b>   | - M   | 99 - NAD-SG2         |          |   |  |
|--|---|----------------------|----------|---|--|
| <b>NAD</b>   | - M   | 1 - Name and address |          |   |  |
| Function:  |   |                      |          |   |  |
| To specify the name/address and their related function, either by C082 only and/or unstructured by C058 or structured by C080 thru 3207. |   |                      |          |   |  |
|  |   | EDIFACT              | GS1      | * | Description  |
| 3035   | Party function code qualifier                   | M an..3              | <b>M</b> |   | AB = Buyer's agent/representative<br>BY = Buyer<br>GX = Central catalogue party<br>SR = Supplier's agent/representative<br>SU = Supplier |
| C082   | PARTY IDENTIFICATION DETAILS                    | C                    | <b>A</b> |   |  |
| 3039   | Party identifier                                | M an..35             | <b>M</b> |   | For identification of parties it is recommended to use GLN - Format n13.   |
| 1131   | Code list identification code                   | C an..17             | <b>N</b> |   |  |
| 3055   | Code list responsible agency code               | C an..3              | <b>R</b> | * | 9 = <b>GS1</b>   |
| C058   | NAME AND ADDRESS                                | C                    | <b>O</b> |   | This composite may only be used to fulfill the requirements of directive 2003/58/EC, article 4.  |
| 3124   | Name and address description                    | M an..35             | <b>M</b> |   |  |
| 3124   | Name and address description                    | C an..35             | <b>O</b> |   |  |
| 3124   | Name and address description                    | C an..35             | <b>O</b> |   |  |
| 3124   | Name and address description                    | C an..35             | <b>O</b> |   |  |
| 3124   | Name and address description                    | C an..35             | <b>O</b> |   |  |
| C080   | PARTY NAME                                      | C                    | <b>D</b> |   |  |
| 3036   | Party name                                      | M an..35             | <b>M</b> |   | Party Name in clear text.  |
| 3036   | Party name                                      | C an..35             | <b>O</b> |   |  |
| 3036   | Party name                                      | C an..35             | <b>O</b> |   |  |
| 3036   | Party name                                      | C an..35             | <b>O</b> |   |  |
| 3036   | Party name                                      | C an..35             | <b>O</b> |   |  |
| 3045   | Party name format code                          | C an..3              | <b>O</b> |   |  |
| C059   | STREET  | C                    | <b>D</b> |   |  |
| 3042   | Street and number or post office box identifier | M an..35             | <b>M</b> |   | Building Name/Number and Street  |
| 3042   | Street and number or post office box identifier | C an..35             | <b>O</b> |   | Name and/or P.O. Box   |
| 3042   | Street and number or post office box identifier | C an..35             | <b>O</b> |   |  |
| 3042   | Street and number or post office box identifier | C an..35             | <b>O</b> |   |  |
| 3164   | City name                                       | C an..35             | <b>D</b> |   | City/Town, clear text.   |
| C819   | COUNTRY SUB-ENTITY DETAILS                      | C                    | <b>D</b> |   |  |
| 3229   | Country sub-entity name code                    | C an..9              | <b>O</b> |   |  |



## 5. Segments Layout

Segment number: 5

|  | EDIFACT  | GS1 | * | Description               |
|--|----------|-----|---|---------------------------|
| 1131 Code list identification code     | C an..17 | O   |   |                           |
| 3055 Code list responsible agency code | C an..3  | O   |   |                           |
| 3228 Country sub-entity name           | C an..70 | O   |   | County/State, clear text. |
| 3251 Postal identification code        | C an..17 | D   |   | Postal Code               |
| 3207 Country name code                 | C an..3  | D   |   | ISO 3166 two alpha code   |

**Segment Notes:**

This segment is used to identify the trading partners involved in the product inquiry message. Identification of the supplier and buyer, or the central catalogue or data base, is mandatory in the product inquiry message.

**Example:**

NAD+SU+5411111123451::9'

NAD+BY+5412345123453::9'

**Dependency Notes:**

The following composites and data elements are only used when a coded name and address can not be used.

The affected composites and data elements are as follows:

C080 - C059 - 3164 - C819 - 3251 - 3207

### 5. Segments Layout

Segment number: 6

| <b>SG1</b>   | - M                              | 99 - NAD-SG2            |          |   |
|--|----------------------------------|-------------------------|----------|---|
| <b>SG2</b>   | - C                              | 9 - CTA-COM             |          |   |
| <b>CTA</b>   | - M                              | 1 - Contact information |          |   |
| Function:  |                                  |                         |          |   |
| To identify a person or a department to whom communication should be directed.   |                                  |                         |          |   |
|  | EDIFACT                          | GS1                     | *        | Description   |
| 3139   | Contact function code            | C an..3                 | <b>R</b> | IC = Information contact<br>PM = Product management contact |
| C056   | DEPARTMENT OR EMPLOYEE DETAILS   | C                       | <b>O</b> |   |
| 3413   | Department or employee name code | C an..17                | <b>O</b> |   |
| 3412   | Department or employee name      | C an..35                | <b>O</b> |   |
| Segment Notes:   |                                  |                         |          |   |
| This segment is used to identify contact departments or names within the party specified in the NAD segment. The use of Global Location Number GLN - Format n13 - is particularly suitable for this purpose. |                                  |                         |          |   |
| Example:<br>CTA+IC+:W MILLS'   |                                  |                         |          |   |

## 5. Segments Layout

Segment number: 7

| <b>SG1</b>  | - M                                  | 99 - NAD-SG2              |   |  |
|---|--------------------------------------|---------------------------|---|--|
| <b>SG2</b>  | - C                                  | 9 - CTA-COM               |   |  |
| <b>COM</b>  | - C                                  | 9 - Communication contact |   |  |
| Function:   |                                      |                           |   |  |
| To identify a communication number of a department or a person to whom communication should be directed.  |                                      |                           |   |  |
|   | EDIFACT                              | GS1                       | * | Description  |
| C076  | COMMUNICATION CONTACT                | M                         | M |  |
| 3148  | Communication address identifier     | Man..512                  | M |  |
| 3155  | Communication address code qualifier | Man..3                    | M | EI = EDI<br>EM = Electronic mail<br>TE = Telephone<br>AO = Uniform Resource Location (URL) |
| Segment Notes:  |                                      |                           |   |  |
| This segment identifies the communications number and type of communications, for the person or department identified in the preceding CTA segment. |                                      |                           |   |  |
| Example:  |                                      |                           |   |  |
| COM+004461879523:FX'  |                                      |                           |   |  |

### 5. Segments Layout

Segment number: 8

|   |                              |               |     |   |  |
|---|------------------------------|---------------|-----|---|--|
| <b>SG3</b>  | - C                          | 9 - RFF-DTM   |     |   |  |
| <b>RFF</b>  | - M                          | 1 - Reference |     |   |  |
| Function:<br>To specify a reference.  |                              |               |     |   |  |
|   |                              | EDIFACT       | GS1 | * | Description  |
| C506  | REFERENCE                    | M             | M   |   |  |
| 1153  | Reference code qualifier     | Man..3        | M   |   | CR = Customer reference number<br>CT = Contract number<br>ASV = Product data file number<br>PIE = Product inquiry number (GS1<br>Temporary Code)<br>PL = Price list number |
| 1154  | Reference identifier         | C an..70      | R   |   |  |
| 1156  | Document line identifier     | C an..6       | N   |   |  |
| 4000  | Reference version identifier | C an..35      | N   |   |  |
| 1060  | Revision identifier          | C an..6       | N   |   |  |
| Segment Notes:<br>This segment is used to provide reference numbers which will apply to the whole message.<br><br>Example:<br>RFF+CR:12332' |                              |               |     |   |  |

### 5. Segments Layout

Segment number: 9

| <b>SG3</b>  | - C  | 9 - RFF-DTM          |     |   |   |
|---|--|----------------------|-----|---|---|
| <b>DTM</b>  | - C  | 9 - Date/time/period |     |   |   |
| Function:   |  |                      |     |   |   |
| To specify date, and/or time, or period.  |  |                      |     |   |   |
|   |  | EDIFACT              | GS1 | * | Description   |
| C507  | DATE/TIME/PERIOD                               | M                    | M   |   |   |
| 2005  | Date or time or period function code qualifier | Man..3               | M   | * | 171 = Reference date/time                               |
| 2380  | Date or time or period value                   | C an..35             | R   |   |   |
| 2379  | Date or time or period format code             | C an..3              | R   |   | 102 = CCYYMMDD<br>104 = MMWW-MMWW<br>203 = CCYYMMDDHHMM |
| Segment Notes:  |  |                      |     |   |   |
| This segment is used to specify dates relating to the references given in the previous RFF segment. |  |                      |     |   |   |
| Example:  |  |                      |     |   |   |
| DTM+171:20020202:102'   |  |                      |     |   |   |

### 5. Segments Layout

Segment number: 10

| <b>SG4</b>  | - M  | 9999 - LIN-SG5-SG6 |          |   |   |
|---|--|--------------------|----------|---|---|
| <b>LIN</b>  | - M  | 1 - Line item      |          |   |   |
| Function:<br>To identify a line item and configuration.   |  |                    |          |   |   |
|   |  | EDIFACT            | GS1      | * | Description   |
| 1082  | Line item identifier                         | C an..6            | <b>R</b> |   | Application generated number of the item lines within the product inquiry.  |
| 1229  | Action request/notification description code | C an..3            | <b>O</b> | * | <p>1 = <b>Added</b><br/>                 2 = <b>Deleted</b><br/>                 3 = <b>Changed</b><br/>                 4 = <b>No action</b></p> <p>In order to request master data from the pool; PROINQ messages are to be used, in which the type of selection (data) request, some execution parameters, and the selection criteria for the data are to be specified. Every selection request (PROINQ message) can contain several criteria records or criteria sets (= main LIN positions). In each one a combination of selection criteria can be transmitted.<br/>                 Example:<br/>                 1. LIN pos.: all master data of GLN X, of the country profile NL and of product classification X.<br/>                 2. LIN pos.: all master data of GLN Y of the product classification Y.<br/>                 3. LIN pos.: all master data of GLN Z, of the country profile FI.<br/>                 For permanent or standing selections (subscriptions) individual criteria records could be changed or deleted later on. For this purpose the selection request would have to be sent again with a certain action request for change or update in the BGM (DE 1225) and a respective action request (for change, deletion or no action) in DE 1229 of the respective LIN (SG 4).</p> |
| C212  | ITEM NUMBER IDENTIFICATION                   | C                  | <b>D</b> |   | This composite is used to identify the GTIN of a product where it is known. Where the GTIN is not known this composite is not used and the attributes of the product should be described using segment group 5.   |
| 7140  | Item identifier                              | C an..35           | <b>R</b> |   | Format n..14<br>GTIN  |
| 7143  | Item type identification code                | C an..3            | <b>R</b> | * | SRV = <b>GS1 Global Trade Item Number</b>   |
| 1131  | Code list identification code                | C an..17           | <b>N</b> |   |   |
| 3055  | Code list responsible agency code            | C an..3            | <b>N</b> |   |   |
| C829  | SUB-LINE INFORMATION                         | C                  | <b>N</b> |   |   |
| 5495  | Sub-line indicator code                      | C an..3            |          |   |   |
| 1082  | Line item identifier                         | C an..6            |          |   |   |
| 1222  | Configuration level number                   | C n..2             | <b>N</b> |   |   |
| 7083  | Configuration operation code                 | C an..3            | <b>N</b> |   |   |
| Segment Notes:<br>This segment is used to specify the inquiry request line and if available, the identification of the product or service |  |                    |          |   |   |

## 5. Segments Layout

---

Segment number: 10

for which the inquiry is being made.

If GTIN numbers are available, it is mandatory to use GTIN numbers within the LIN segment.

Example:

LIN+1++5412345000013:SRV'

This example identifies the GTIN 5412345000013 as the code for the product on which an enquiry is being made.

LIN+2'

This example details a case where no GTIN is known by the party making the inquiry. A line item number is generated to create a unique reference for future use.

### 5. Segments Layout

Segment number: 11

| <b>SG4</b>  | - M                                | 9999 - LIN-SG5-SG6          |   |  |
|---|------------------------------------|-----------------------------|---|--|
| <b>SG5</b>  | - C                                | 999 - CCI-CAV-MEA           |   |  |
| <b>CCI</b>  | - M                                | 1 - Characteristic/class id |   |  |
| Function:   |                                    |                             |   |  |
| To identify and describe a specific characteristic and its relevance for subsequent business processes.   |                                    |                             |   |  |
|   | EDIFACT                            | GS1                         | * | Description  |
| 7059  | Class type code                    | C an..3                     | O | 11 = <a href="#">Product</a>   |
| C502  | MEASUREMENT DETAILS                | C                           | N |  |
| 6313  | Measured attribute code            | C an..3                     | O |  |
| 6321  | Measurement significance code      | C an..3                     |   |  |
| 6155  | Non-discrete measurement name code | C an..17                    |   |  |
| 6154  | Non-discrete measurement name      | C an..70                    |   |  |
| C240  | PRODUCT CHARACTERISTIC             | C                           | O |  |
| 7037  | Characteristic description code    | Man..17                     | M | This data element is used to identify the characteristics of a line item in user coded form. As no EDIFACT code list exists for this data element codes should be from the EANCOM code list or be allocated depending on the requirements of the user. Should it not be possible to provide a user code in this data element and a free form characteristic description is used in data element 7036, then it is recommended that the code value 'ZZZ' be put in data element 7037 (which is mandatory). |
| 1131  | Code list identification code      | C an..17                    | O |  |
| 3055  | Code list responsible agency code  | C an..3                     | D | 9 = <a href="#">GS1</a><br>60 = <a href="#">Assigned by national trade agency</a><br>91 = <a href="#">Assigned by supplier or supplier's agent</a><br>92 = <a href="#">Assigned by buyer or buyer's agent</a>  |
| 7036  | Characteristic description         | C an..35                    | O | This data element is used to provide free form text characteristics for use where no coded values exist in data element 7037.  |
| 7036  | Characteristic description         | C an..35                    | O |  |
| 4051  | Characteristic relevance code      | C an..3                     | N |  |
| Segment Notes:  |                                    |                             |   |  |
| This segment is used to specify any characteristics which apply to all the products in the inquiry request.   |                                    |                             |   |  |
| Example:<br>CCI+11++ZZZ::91:FABRIC'   |                                    |                             |   |  |
| This example indicates for the textile industry that the product characteristic being identified is for fabric. As no code value is available (code ZZZ is a dummy because DE 7037 is mandatory) the information is provided in free text form. |                                    |                             |   |  |



### 5. Segments Layout

Segment number: 12

| <b>SG4</b>  | - M                                   | 9999 - LIN-SG5-SG6        |     |   |   |
|---|---------------------------------------|---------------------------|-----|---|---|
| <b>SG5</b>  | - C                                   | 999 - CCI-CAV-MEA         |     |   |   |
| <b>CAV</b>  | - C                                   | 10 - Characteristic value |     |   |   |
| Function:<br>To provide the value of a characteristic.  |                                       |                           |     |   |   |
|   |                                       | EDIFACT                   | GS1 | * | Description   |
| C889  | CHARACTERISTIC VALUE                  | M                         | M   |   |   |
| 7111  | Characteristic value description code | C an..3                   | A   |   | This data element is used to provide characteristic values. As no EDIFACT code list exists for this data element codes should be allocated depending on the requirements of the user. |
| 1131  | Code list identification code         | C an..17                  | O   |   |   |
| 3055  | Code list responsible agency code     | C an..3                   | D   |   | 9 = GS1<br>91 = Assigned by supplier or supplier's agent<br>92 = Assigned by buyer or buyer's agent   |
| 7110  | Characteristic value description      | C an..35                  | O   |   |   |
| 7110  | Characteristic value description      | C an..35                  | O   |   |   |
| Segment Notes:<br>This segment is used to further specify product characteristics which apply to all the products in the line request.<br><br>Example:<br>CAV+E15::60'<br>This example indicates that the ingredient E15 is present in the product. The code E15 has been allocated by a national agency.<br><br>CAV+::WOOL'<br>When using in combination with the example in the previous CCI indicates that the fabric is wool. As no code values exist within the industrie the free text description is used. |                                       |                           |     |   |   |

### 5. Segments Layout

Segment number: 13

| <b>SG4</b>   | - M                                   | 9999 - LIN-SG5-SG6 |          |  |
|--|---------------------------------------|--------------------|----------|--|
| <b>SG5</b>   | - C                                   | 999 - CCI-CAV-MEA  |          |  |
| <b>MEA</b>   | - C                                   | 10 - Measurements  |          |  |
| Function:  |                                       |                    |          |  |
| To specify physical measurements, including dimension tolerances, weights and counts.                              |                                       |                    |          |  |
|  | EDIFACT                               | GS1                | *        | Description  |
| 6311   | Measurement purpose code<br>qualifier | M an..3            | <b>M</b> | PD = Physical dimensions (product ordered)<br>SV = Specification value   |
| C502   | MEASUREMENT DETAILS                   | C                  | <b>O</b> |  |
| 6313   | Measured attribute code               | C an..3            | <b>A</b> | AAA = Unit net weight<br>DI = Diameter<br>DP = Depth<br>HT = Height dimension<br>LN = Length dimension<br>TH = Thickness   |
| 6321   | Measurement significance<br>code      | C an..3            | <b>O</b> | 3 = Approximately<br>4 = Equal to  |
| 6155   | Non-discrete measurement<br>name code | C an..17           | <b>O</b> |  |
| 6154   | Non-discrete measurement<br>name      | C an..70           | <b>N</b> |  |
| C174   | VALUE/RANGE                           | C                  | <b>R</b> |  |
| 6411   | Measurement unit code                 | M an..3            | <b>M</b> | CMT = centimetre<br>FOT = foot<br>GRM = gram<br>MMT = millimetre<br>MTR = metre<br>P1 = percent<br>YRD = yard<br>SML = Square metre per litre (GS1 Temporary<br>Code)<br>D21 = square metre per kilogram<br>E32 = Litre per hour<br>L2 = litre per minute<br>KMH = kilometre per hour<br>NEW = newton<br>C60 = ohm centimetre<br>PAL = pascal<br>DMQ = cubic decimetre<br>28 = kilogram per square metre<br>KPA = kilopascal |
| 6314   | Measurement value                     | C an..18           | <b>O</b> |  |
| 6162   | Range minimum value                   | C n..18            | <b>O</b> |  |
| 6152   | Range maximum value                   | C n..18            | <b>O</b> |  |
| 6432   | Significant digits quantity           | C n..2             | <b>N</b> |  |
| 7383   | Surface or layer code                 | C an..3            | <b>N</b> |  |
| Segment Notes:   |                                       |                    |          |  |
| This segment is used to specify any measurements related to the currently identified product characteristic class. |                                       |                    |          |  |
| Example:   |                                       |                    |          |  |

## 5. Segments Layout

---

Segment number: 13

MEA+SV++P1:15'

When used in conjunction with example 3 in the CCI and CAV segments, this MEA segment indicates the measurements for the specification identified in the CCI and CAV segments. In this instance the ingredient E150 is 15% of the total ingredients for the product.

## 5. Segments Layout

Segment number: 14

| <b>SG4</b>  | - M                                    | 9999 - LIN-SG5-SG6                 |             |  |
|---|--|------------------------------------|-------------|--|
| <b>SG6</b>  | - C                                    | 9999 - IRQ-PIA-MEA-NAD-PGI-DTM-SG7 |             |  |
| <b>IRQ</b>  | - M                                    | 1 - Information required           |             |  |
| Function:   |  |                                    |             |  |
| To indicate which information is requested in a responding message.   |  |                                    |             |  |
|   | EDIFACT                                | GS1 *                              | Description |  |
| C333  | INFORMATION REQUEST                    | M                                  | M           |  |
| 4511  | Requested information description code | C an..3                            | R           | 1E = Only PRICAT (GS1 Permanent Code)<br>2E = Only PRODAT (GS1 Permanent Code)<br>3E = Both PRICAT and PRODAT (GS1 Permanent Code)   |
| 1131  | Code list identification code          | C an..17                           | O           |  |
| 3055  | Code list responsible agency code      | C an..3                            | D           | 9 = GS1<br>91 = Assigned by supplier or supplier's agent<br>92 = Assigned by buyer or buyer's agent  |
| 4510  | Requested information description      | C an..35                           | D           | This data element should only be used if no codes exist in data element 4511 to adequately describe the information which is required by the buyer. The use of this data element may inhibit the automatic data processing of the segment, if possible use data element 4511 to request the information. |
| Segment Notes:  |  |                                    |             |  |
| This segment is used to specify the type of information which is requested in return for all the products detailed in the LIN - segment or SG5.                           |  |                                    |             |  |
| Example:  |  |                                    |             |  |
| IRQ+1E::9'  |  |                                    |             |  |
| Requests only price/sales catalogue information for the products detailed in the LIN segment or SG5. The response to this message is a PRICAT message.                    |  |                                    |             |  |
| IRQ+3E::9'  |  |                                    |             |  |
| Requests both price/sales catalogue and product data information for the detailed product(s). Both PRICAT and PRODAT messages should be sent in response to this request. |  |                                    |             |  |

### 5. Segments Layout

Segment number: 15

| <b>SG4</b>   | - M                                  | 9999 - LIN-SG5-SG6                 |          |   |   |
|--|--------------------------------------|------------------------------------|----------|---|---|
| <b>SG6</b>   | - C                                  | 9999 - IRQ-PIA-MEA-NAD-PGI-DTM-SG7 |          |   |   |
| <b>PIA</b>   | - C                                  | 10 - Additional product id         |          |   |   |
| Function:  |                                      |                                    |          |   |   |
| To specify additional or substitutional item identification codes. |                                      |                                    |          |   |   |
|  |                                      | EDIFACT                            | GS1      | * | Description   |
| 4347   | Product identifier code<br>qualifier | M an..3                            | <b>M</b> | * | <p>1 = <b>Additional identification</b><br/>                 2 = <b>Identification for potential substitution</b><br/>                 4 = <b>Substituted for</b><br/>                 5 = <b>Product identification</b></p> <p>Product Id function qualifier has the following restricted coded functions:<br/>                 1 = Additional Identification - To request additional identities for the product identified with an GTIN in the LIN segment, or for the product attributes specified in segment group 5.<br/>                 2 = Identification for potential substitution - To request the message receiver to send identifications of any products which may be substituted for the original if the original is unavailable.<br/>                 4 = Substituted for - To request the GTIN of a product which has been substituted for the product identified by the GTIN provided in the LIN segment.<br/>                 5 = Product Identification - To request the primary product identification code when no GTIN has been provided in the LIN segment.</p> |
| C212   | ITEM NUMBER IDENTIFICATION           | M                                  | <b>M</b> |   |   |
| 7140   | Item identifier                      | C an..35                           | <b>D</b> |   | This data element is only used when the PIA segment is used to provide additional identifications. It should not be used when the segment is used to request additional product identifications.  |
| 7143   | Item type identification code        | C an..3                            | <b>R</b> |   | <p>AC = <b>HIBC (Health Industry Bar Code)</b><br/>                 IB = <b>ISBN (International Standard Book Number)</b><br/>                 IN = <b>Buyer's item number</b><br/>                 PV = <b>Promotional variant number</b><br/>                 SA = <b>Supplier's article number</b><br/>                 SRV = <b>GS1 Global Trade Item Number</b></p>  |
| 1131   | Code list identification code        | C an..17                           | <b>O</b> |   |   |
| 3055   | Code list responsible agency code    | C an..3                            | <b>D</b> |   | <p>9 = <b>GS1</b><br/>                 91 = <b>Assigned by supplier or supplier's agent</b><br/>                 92 = <b>Assigned by buyer or buyer's agent</b></p>   |
| C212   | ITEM NUMBER IDENTIFICATION           | C                                  | <b>O</b> |   |   |
| 7140   | Item identifier                      | C an..35                           | <b>D</b> |   |   |
| 7143   | Item type identification code        | C an..3                            | <b>R</b> |   |   |
| 1131   | Code list identification code        | C an..17                           | <b>O</b> |   |   |
| 3055   | Code list responsible agency code    | C an..3                            | <b>D</b> |   |   |
| C212   | ITEM NUMBER IDENTIFICATION           | C                                  | <b>O</b> |   |   |

### 5. Segments Layout

Segment number: 15

|  | EDIFACT  | GS1 | * | Description |
|--|----------|-----|---|-------------|
| 7140 Item identifier                   | C an..35 | D   |   |             |
| 7143 Item type identification code     | C an..3  | R   |   |             |
| 1131 Code list identification code     | C an..17 | O   |   |             |
| 3055 Code list responsible agency code | C an..3  | D   |   |             |
| C212 ITEM NUMBER IDENTIFICATION        | C        | O   |   |             |
| 7140 Item identifier                   | C an..35 | D   |   |             |
| 7143 Item type identification code     | C an..3  | R   |   |             |
| 1131 Code list identification code     | C an..17 | O   |   |             |
| 3055 Code list responsible agency code | C an..3  | D   |   |             |
| C212 ITEM NUMBER IDENTIFICATION        | C        | O   |   |             |
| 7140 Item identifier                   | C an..35 | D   |   |             |
| 7143 Item type identification code     | C an..3  | R   |   |             |
| 1131 Code list identification code     | C an..17 | O   |   |             |
| 3055 Code list responsible agency code | C an..3  | D   |   |             |

**Segment Notes:**

This segment is used to request additional product identifications which may exist for the product being inquired upon.

**Examples:**

PIA+1+:IN'

This example is used to request the message receiver to send any buyer's item number which may exist for the current product.

PIA+2+:SRV'

This example requests information regarding any GTIN which can be used as substitutes should the original product be unavailable.

PIA+4+:SRV'

This example requests information on the GTIN which has replaced the GTIN specified in the LIN segment.

PIA+5+:SA'

This example requests information regarding any suppliers article number fulfilling the inquiry when on GTIN is available.

## 5. Segments Layout

Segment number: 16

| <b>SG4</b>  | - M                                | 9999 - LIN-SG5-SG6                 |          |  |
|---|------------------------------------|------------------------------------|----------|--|
| <b>SG6</b>  | - C                                | 9999 - IRQ-PIA-MEA-NAD-PGI-DTM-SG7 |          |  |
| <b>MEA</b>  | - C                                | 10 - Measurements                  |          |  |
| Function:   |                                    |                                    |          |  |
| To specify physical measurements, including dimension tolerances, weights and counts.       |                                    |                                    |          |  |
|   | EDIFACT                            | GS1                                | *        | Description  |
| 6311  | Measurement purpose code qualifier | M an..3                            | <b>M</b> | PD = Physical dimensions (product ordered)   |
| C502  | MEASUREMENT DETAILS                | C                                  | <b>O</b> |  |
| 6313  | Measured attribute code            | C an..3                            | <b>A</b> | AAA = Unit net weight<br>DI = Diameter<br>DP = Depth<br>HT = Height dimension<br>LN = Length dimension<br>TH = Thickness |
| 6321  | Measurement significance code      | C an..3                            | <b>O</b> | 3 = Approximately<br>4 = Equal to  |
| 6155  | Non-discrete measurement name code | C an..17                           | <b>O</b> |  |
| 6154  | Non-discrete measurement name      | C an..70                           | <b>N</b> |  |
| C174  | VALUE/RANGE                        | C                                  | <b>O</b> |  |
| 6411  | Measurement unit code              | M an..3                            | <b>M</b> | CMT = centimetre<br>FOT = foot<br>GRM = gram<br>MMT = millimetre<br>MTR = metre<br>YRD = yard                            |
| 6314  | Measurement value                  | C an..18                           | <b>O</b> |  |
| 6162  | Range minimum value                | C n..18                            | <b>O</b> |  |
| 6152  | Range maximum value                | C n..18                            | <b>O</b> |  |
| 6432  | Significant digits quantity        | C n..2                             | <b>O</b> |  |
| 7383  | Surface or layer code              | C an..3                            | <b>N</b> |  |
| Segment Notes:  |                                    |                                    |          |  |
| This segment is used to request measurement information relevant for the current line item. |                                    |                                    |          |  |
| Example:<br>MEA+PD+LN'  |                                    |                                    |          |  |
| Requests the length of the current line item.   |                                    |                                    |          |  |

## 5. Segments Layout

Segment number: 17

| <b>SG4</b>   | - M   | 9999 - LIN-SG5-SG6                 |          |   |
|--|---|------------------------------------|----------|---|
| <b>SG6</b>   | - C   | 9999 - IRQ-PIA-MEA-NAD-PGI-DTM-SG7 |          |   |
| <b>NAD</b>   | - C   | 10 - Name and address              |          |   |
| Function:  |   |                                    |          |   |
| To specify the name/address and their related function, either by C082 only and/or unstructured by C058 or structured by C080 thru 3207. |   |                                    |          |   |
|  | EDIFACT   | GS1                                | *        | Description   |
| 3035   | Party function code qualifier                   | M an..3                            | <b>M</b> |   |
|  |   |                                    |          | DS = Distributor<br>MF = Manufacturer of goods  |
| C082   | PARTY IDENTIFICATION DETAILS                    | C                                  | <b>O</b> |   |
| 3039   | Party identifier                                | Man..35                            | <b>M</b> | For identification of parties it is recommended to use GLN - Format n13.                        |
| 1131   | Code list identification code                   | C an..17                           | <b>N</b> |   |
| 3055   | Code list responsible agency code               | C an..3                            | <b>R</b> | *   |
|  |   |                                    |          | 9 = <b>GS1</b>  |
| C058   | NAME AND ADDRESS                                | C                                  | <b>O</b> | This composite may only be used to fulfill the requirements of directive 2003/58/EC, article 4. |
| 3124   | Name and address description                    | Man..35                            | <b>M</b> |   |
| 3124   | Name and address description                    | C an..35                           | <b>O</b> |   |
| 3124   | Name and address description                    | C an..35                           | <b>O</b> |   |
| 3124   | Name and address description                    | C an..35                           | <b>O</b> |   |
| 3124   | Name and address description                    | C an..35                           | <b>O</b> |   |
| C080   | PARTY NAME                                      | C                                  | <b>D</b> |   |
| 3036   | Party name                                      | Man..35                            | <b>M</b> | Party Name in clear text.   |
| 3036   | Party name                                      | C an..35                           | <b>O</b> |   |
| 3036   | Party name                                      | C an..35                           | <b>O</b> |   |
| 3036   | Party name                                      | C an..35                           | <b>O</b> |   |
| 3036   | Party name                                      | C an..35                           | <b>O</b> |   |
| 3045   | Party name format code                          | C an..3                            | <b>O</b> |   |
| C059   | STREET  | C                                  | <b>D</b> |   |
| 3042   | Street and number or post office box identifier | Man..35                            | <b>M</b> | Building Name/Number and Street   |
| 3042   | Street and number or post office box identifier | C an..35                           | <b>O</b> | Name and/or P.O. Box  |
| 3042   | Street and number or post office box identifier | C an..35                           | <b>O</b> |   |
| 3042   | Street and number or post office box identifier | C an..35                           | <b>O</b> |   |
| 3164   | City name                                       | C an..35                           | <b>D</b> | City/Town, clear text.  |
| C819   | COUNTRY SUB-ENTITY DETAILS                      | C                                  | <b>D</b> |   |
| 3229   | Country sub-entity name code                    | C an..9                            | <b>O</b> |   |
| 1131   | Code list identification code                   | C an..17                           | <b>O</b> |   |
| 3055   | Code list responsible agency                    | C an..3                            | <b>O</b> |   |



## 5. Segments Layout

Segment number: 17

|                                 | EDIFACT  | GS1      | * | Description               |
|---------------------------------|----------|----------|---|---------------------------|
| code                            |          |          |   |                           |
| 3228 Country sub-entity name    | C an..70 | <b>O</b> |   | County/State, clear text. |
| 3251 Postal identification code | C an..17 | <b>D</b> |   | Postal Code               |
| 3207 Country name code          | C an..3  | <b>D</b> |   | ISO 3166 two alpha code   |

**Segment Notes:**

This segment is used to request or provide information regarding any parties related to the current line item only, e.g., manufacturer, distributor.

**Example:**

NAD+MF+5422331123459::9'

This example provides the Global Location Numbers GLN - Format n13 - of the manufacturer of the product on which the enquiry is being made. In this instance the manufacturer identified would be the requested manufacturer of the product.

NAD+DS'

This example requests information regarding the distributor for a product.

**Dependency Notes:**

The following composites and data elements are only used when a coded name and address can not be used.

The affected composites and data elements are as follows:

C080 - C059 - 3164 - C819 - 3251 - 3207

### 5. Segments Layout

Segment number: 18

| <b>SG4</b>  | - M                               | 9999 - LIN-SG5-SG6                 |             |  |
|---|-----------------------------------|------------------------------------|-------------|--|
| <b>SG6</b>  | - C                               | 9999 - IRQ-PIA-MEA-NAD-PGI-DTM-SG7 |             |  |
| <b>PGI</b>  | - C                               | 9 - Product group information      |             |  |
| Function:   |                                   |                                    |             |  |
| To indicate the group in which a product belongs.   |                                   |                                    |             |  |
|   | EDIFACT                           | GS1 *                              | Description |  |
| 5379  | Product group type code           | M an..3                            | <b>M</b>    | 10 = Price group<br>11 = Product group   |
| C288  | PRODUCT GROUP                     | C                                  | <b>O</b>    |  |
| 5389  | Product group name code           | C an..25                           | <b>O</b>    |  |
| 1131  | Code list identification code     | C an..17                           | <b>O</b>    | BR = Brand (GS1 Temporary Code)<br>CA = Category (GS1 Temporary Code)<br>CO = Colour (GS1 Temporary Code)<br>FL = Flavor (GS1 Temporary Code)<br>ST = Style (GS1 Temporary Code)<br>SZ = Size (GS1 Temporary Code) |
| 3055  | Code list responsible agency code | C an..3                            | <b>D</b>    | 9 = GS1<br>Code 9 must be used if DE 1131 contains an GS1 Code.  |
| 5388  | Product group name                | C an..35                           | <b>O</b>    | This DE can be used to specify the actual code value for the code type indicated in DE 1131 and under the control of the organization specified in DE 3055.  |
| Segment Notes:  |                                   |                                    |             |  |
| This segment is used to request product or price group information for the current line item. |                                   |                                    |             |  |
| Example:  |                                   |                                    |             |  |
| PGI+11'   |                                   |                                    |             |  |
| Requests information on the product group for the current line item. mdill: retourniert       |                                   |                                    |             |  |

### 5. Segments Layout

Segment number: 19

| <b>SG4</b>   | - M  | 9999 - LIN-SG5-SG6                 |     |   |   |
|--|--|------------------------------------|-----|---|---|
| <b>SG6</b>   | - C  | 9999 - IRQ-PIA-MEA-NAD-PGI-DTM-SG7 |     |   |   |
| <b>DTM</b>   | - C  | 5 - Date/time/period               |     |   |   |
| Function:<br>To specify date, and/or time, or period.  |  |                                    |     |   |   |
|  |  | EDIFACT                            | GS1 | * | Description   |
| C507   | DATE/TIME/PERIOD                               | M                                  | M   |   |   |
| 2005   | Date or time or period function code qualifier | M an..3                            | M   |   | 44 = <a href="#">Availability</a><br>63 = <a href="#">Delivery date/time, latest</a><br>64 = <a href="#">Delivery date/time, earliest</a><br>169 = <a href="#">Lead time</a><br>362 = <a href="#">End availability date</a> |
| 2380   | Date or time or period value                   | C an..35                           | D   |   |   |
| 2379   | Date or time or period format code             | C an..3                            | D   |   | 102 = <a href="#">CCYYMMDD</a><br>203 = <a href="#">CCYYMMDDHHMM</a><br>715 = <a href="#">YYWW-YYWW</a><br>718 = <a href="#">CCYYMMDD-CCYYMMDD</a>  |
| Segment Notes:<br>This segment is used to request information on any dates relevant to the current line item.<br><br>Example:<br>DTM+44'<br>Requests information on the availability dates for the product.<br><br>Dependency Notes:<br>DE's 2380 and 2379: These data elements are only used when the sender of the message wishes to specifically express a date related to the current line item, e.g. a requested delivery date. |  |                                    |     |   |   |

### 5. Segments Layout

Segment number: 20

|            |     |                                    |
|------------|-----|------------------------------------|
| <b>SG4</b> | - M | 9999 - LIN-SG5-SG6                 |
| <b>SG6</b> | - C | 9999 - IRQ-PIA-MEA-NAD-PGI-DTM-SG7 |
| <b>SG7</b> | - C | 10 - PRI-RNG                       |
| <b>PRI</b> | - M | 1 - Price details                  |

Function:  
 To specify price information.

|      | EDIFACT                                   | GS1     | * | Description  |
|------|---|---------|---|--|
| C509 | PRICE INFORMATION                         | C       | R |  |
| 5125 | Price code qualifier                      | Man..3  | M | AAA = Calculation net<br>AAB = Calculation gross<br>AAE = Information price, excluding allowances or charges, including taxes<br>AAF = Information price, excluding allowances or charges and taxes<br>Requests information on the calculation net price.<br>AAA Request that the net price including all allowances and charges and excluding taxes be raised in the responding message.<br>AAB Request that the gross price excluding all allowances, charges and taxes be raised in the responding message. |
| 5118 | Price amount                              | C n..15 | O |  |
| 5375 | Price type code                           | C an..3 | O | CA = Catalogue<br>CT = Contract  |
| 5387 | Price specification code                  | C an..3 | O | AP = Advice price<br>CP = Current price<br>ES = Estimated price<br>LIU = List price (GS1 Temporary Code)<br>MIN = Minimum order quantity price<br>PRP = Promotional price<br>SRP = Suggested retail price  |
| 5284 | Unit price basis value                    | C n..9  | D |  |
| 6411 | Measurement unit code                     | C an..3 | D | KGM = kilogram   |
| 5213 | Sub-line item price change operation code | C an..3 | N |  |

Segment Notes:  
 This segment is used to request pricing information for the current line item.

Example:  
 PRI+AAA'

Dependency Notes:  
 Data elements 5284 and 6411 are used when a product is a variable quantity product, e.g. price per 200 kilos, or when the unit of measure for purchasing, delivery, and invoicing are different for a product, e.g. sugar is not a variable quantity product but ordered and delivered in packs, and invoiced in kilos or tonnes.

## 5. Segments Layout

Segment number: 21

| <b>SG4</b>  | - M                       | 9999 - LIN-SG5-SG6                 |          |  |
|---|---------------------------|------------------------------------|----------|--|
| <b>SG6</b>  | - C                       | 9999 - IRQ-PIA-MEA-NAD-PGI-DTM-SG7 |          |  |
| <b>SG7</b>  | - C                       | 10 - PRI-RNG                       |          |  |
| <b>RNG</b>  | - C                       | 1 - Range details                  |          |  |
| Function:   |                           |                                    |          |  |
| To identify a range.  |                           |                                    |          |  |
|   | EDIFACT                   | GS1                                | *        | Description  |
| 6167  | Range type code qualifier | M an..3                            | <b>M</b> | 3 = <a href="#">Monetary range</a>   |
| C280  | RANGE                     | C                                  | <b>R</b> |  |
| 6411  | Measurement unit code     | M an..3                            | <b>M</b> | AMT = <a href="#">Amount (GS1 Temporary Code)</a><br>KGM = <a href="#">kilogram</a><br>H87 = <a href="#">Piece</a> |
| 6162  | Range minimum value       | C n..18                            | <b>O</b> |  |
| 6152  | Range maximum value       | C n..18                            | <b>O</b> |  |
| Segment Notes:  |                           |                                    |          |  |
| This segment is used to specify price ranges for the current line item. The type of price for which the range is required is specified in the previous PRI segment. The message sender would use this segment to request only information for products which fall within the specified range. |                           |                                    |          |  |
| Example:<br>RNG+3+AMT:1500:4000'  |                           |                                    |          |  |
| The message sender requests information on products which fall between the 1500 and 4000 EUR price range.   |                           |                                    |          |  |

## 5. Segments Layout

---

Segment number: 22

|  |                                   |                |            |   |   |
|--|-----------------------------------|----------------|------------|---|---|
| <b>UNT</b> - M 1 - Message trailer   |                                   |                |            |   |   |
| Function:<br>To end and check the completeness of a message.   |                                   |                |            |   |   |
|  |                                   | <b>EDIFACT</b> | <b>GS1</b> | * | <b>Description</b>  |
| 0074   | Number of segments in the message | M n..6         | <b>M</b>   |   | The total number of segments in the message is specified here.                                  |
| 0062   | Message reference number          | M an..14       | <b>M</b>   |   | The message reference numbered detailed here should equal the one specified in the UNH segment. |
| Segment Notes:<br>This segment is a mandatory UN/EDIFACT segment. It must always be the last segment in the message.<br><br>Example:<br>UNT+29+ME000001' |                                   |                |            |   |   |

6. Examples

---

**Example 1**

The following is an example of a product inquiry message between a buyer identified by GLN 5412345123453 and a supplier identified by GLN 5411111123451. The message number is 214 and it was generated on the 15th of August 2002.

In the detail section the buyer requests the physical dimensions for five of the suppliers products for which he already has GTINs.

The likely response from a supplier to this request would be a Product Data message (PRODAT).

|                                      |   |
|--------------------------------------|---|
| UNH+ME000001+PROINQ:D:01B:UN:EAN004' | Message header                                    |
| BGM+251+214+9'                       | Product inquiry number 214                        |
| DTM+137:20020815:102'                | Message date 15th of August 2002                  |
| NAD+BY+5412345123453::9'             | Buyer identified by GLN 5412345123453             |
| NAD+SU+5411111123451::9'             | Supplier identified by GLN 5411111123451          |
| LIN+1++5412345123453:SRV'            | First product identified by GTIN 5412345123453    |
| IRQ+2E::9'                           | Requests only PRODAT information in response      |
| MEA+PD'                              | Requests the products physical dimensions         |
| LIN+2++5410738251028:SRV'            | Second product identified by GTIN 5410738251028   |
| IRQ+2E::9'                           | Requests only PRODAT information in response      |
| MEA+PD'                              | Requests the products physical dimensions         |
| LIN+3++5410738377117:SRV'            | Third product identified by GTIN 5410738377117    |
| IRQ+2E::9'                           | Requests only PRODAT information in response      |
| MEA+PD'                              | Requests the products physical dimensions         |
| LIN+4++5410738377131:SRV'            | Fourth product identified by GTIN 5410738377131   |
| IRQ+2E::9'                           | Requests only PRODAT information in response      |
| MEA+PD'                              | Requests the products physical dimensions         |
| LIN+5++5412345111115:SRV'            | Fifth product identified by GTIN 5412345111115    |
| IRQ+2E::9'                           | Requests only PRODAT information in response      |
| MEA+PD'                              | Requests the products physical dimensions         |
| UNT+21+ME000001'                     | Total number of segments in the message equals 21 |

**Example 2**

The following is an example of a product inquiry message between a buyer identified by GLN 5071615111110 and a supplier identified by GLN 5098765111111. The message number is 264 and it was generated on the 27th of August 2002. The buyer requests that the price list currency be quoted in Euros.

The buyer requests several pieces of information in the message. Firstly, the availability of the product identified by GTIN 5412345123453. Secondly, all commercial information, i.e prices, allowances and charges, payment terms, etc., related to three products identified by GTINs 5410738377117, 5410738377131, and 5412345111115.

## 6. Examples

---

The third piece of information requested concerns a request for all information for products which have the following attributes, a blue denim shirt of the rancher style in sizes medium, large and extra large. The manufacturer of the product is identified by GLN 5422331123459 and the buyer only wants information on products with these attributes which have a list unit price of between 5 and 8 Euros per piece.

The likely response from a supplier to the first two requests would be a Price/Sales Catalogue message (PRICAT). The supplier would respond to the third request with both a Product Data message and a Price/Sales Catalogue message as stated in the IRQ segment (DE 4511).

|                                      |   |
|--------------------------------------|---|
| UNH+ME000001+PROINQ:D:01B:UN:EAN004' | Message header  |
| BGM+251+264+9'                       | Product inquiry number 264                            |
| DTM+137:20020827:102'                | Message date 27th of August 2002                      |
| CUX+2:EUR:8'                         | Price list currency for the response message is Euros |
| NAD+BY+5071615111110::9'             | Buyer identified by GLN 5071615111110                 |
| NAD+SU+5098765111111::9'             | Supplier identified by GLN 5098765111111              |
| LIN+1++5412345123453:SRV'            | First product identified by GTIN 5412345123453        |
| IRQ+1E::9'                           | Information requested is only PRICAT data             |
| DTM+44'                              | Availability date for product requested               |
| LIN+2++5410738377117:SRV'            | Second product identified by GTIN 5410738377117       |
| IRQ+1E::9'                           | Information requested is only PRICAT data             |
| LIN+3++5410738377131:SRV'            | Third product identified by GTIN 5410738377131        |
| IRQ+1E::9'                           | Information requested is only PRICAT data             |
| LIN+4++5412345111115:SRV'            | Fourth product identified by GTIN 5412345111115       |
| IRQ+1E::9'                           | Information requested is only PRICAT data             |
| LIN+5'                               | Fifth product has no GTIN                             |
| CCI+11++CO::92:COLOUR'               | Described by the characteristic colour                |
| CAV+BL::92:BLUE'                     | Colour is blue  |
| CCI+11++TX::92:TEXTILE'              | Described by the characteristic textile               |
| CAV+DN::92:DENIM'                    | Textile is denim                                      |
| CCI+11++ST::92:STYLE'                | Described by the characteristic style                 |
| CAV+RA::92:RANCHER'                  | Style is rancher                                      |
| CCI+11++SZ::92:SIZE'                 | Described by the characteristic size                  |
| CAV+M::92:MEDIUM'                    | Size is medium  |
| CAV+L::92:LARGE'                     | Size is large   |
| CAV+XL::92:EXTRA LARGE'              | Size is extra large                                   |
| IRQ+3E::9'                           | Information requested is both PRICAT and PRODAT data  |
| NAD+MF+5422331123459::9'             | All products from the manufacturer identified by GLN  |



## 6. Examples

---

|                  |   |
|------------------|---|
|                  | 5422331123459                                     |
| PRI+AAF:::LIU'   | Requests the list unit price of the article       |
| RNG+3+PCE:5:8'   | Within the range of 5 to 8 Euros                  |
| UNT+31+ME000001' | Total number of segments in the message equals 31 |

Note:

The EDI interchange will include the UNB..UNZ segments and, if applicable, the UNG..UNE segments. (See part 1 section 5.7)