

EANCOM[®] 2002 S3

CONDRA

Drawing administration message

Edition 2016

1. Introduction.....	2
2. Message Structure Chart	5
3. Branching Diagram.....	6
4. Segments Description	9
5. Segments Layout.....	11
6. Example(s)	26

1. Introduction

Status

MESSAGE TYPE : CONDRA
REFERENCE DIRECTORY : D.01B
EANCOM® SUBSET VERSION : 003

Definition

This message will be used for the administration of each exchange of an external object. An external object may be for example a photograph, a video, a film, a CAD file. The message will give additional information about the object and it will refer to the message, and if necessary to the line number to which it is related.

Principles

Because the transmission of external objects is not always synchronised with the transmission of the message which includes the GTIN or the GLN, a link must be established. The information transmitted in the link is the following:

1. Identification of the message related to the object (RFF)

This is the number (BGM/DE1004) of the message used to exchange data (e.g. article/location numbers) which is being related to the object.

2. Line number within the identified message (RFF)

This is a line number from the message identified in 1 above.

3. External Object Identifier (EFI)

When the external object is in Digital Data Format, it is recommended that the external object name must exactly correspond to the name of the external file sent by tele-transmission or by other means, i.e. the name of the external file without its extension.

4. External Object Data Format (EFI)

- An external object may be in "Digital Data Format" or "Non-Digital Data Format". An external object is considered to be in Digital Data Format when it may be processed, as a byte string, by a computer. In this case the external object Format can have the file extension (e.g. BMP, PCD, etc.)
- An external object is considered to be in Non-Digital Data Format when it must be processed manually. A external object in Non Digital Format is exchanged in the form of a recording on a physical medium (e.g. a photograph on paper, or an analog sound sequence). The external object format (e.g. PAL, SECAM) enables the recipient to know the type of reading equipment which will be required to retrieve the object.

The recipient of an External Object will apply different processing procedures to it depending on whether it is in Digital Data Format or Non-Digital Data Format. For this reason:

When two or more external objects are exchanged for the same product in a Digital Data Format and in a Non Digital Data Format, each must be considered as distinct external objects identified by distinct names.

An external file is to be considered as being made up of only one external object. This implies that it is advisable to create external files which only contain one external object. For example, an external file which includes several pictures will be considered as only one external object.

5. External Object Physical Medium (CED)

This information enables the recipient to identify the physical medium which will be required to read, or was used to create the object, e.g. a CD-ROM, a diskette, a directory on a computer.

1. Introduction

Where the external object is exchanged as a data file the following information should also be transferred:

*** External File Generation Environment:**

- the generating software name (CED);
- the software version (CED);
- the software release (CED);
- the original medium type (CED) used originally to generate the external file (e.g. transparency,...)

*** The Computer System Environment:**

- the operating system name under which the file was generated (CED);
- the operating system version (CED);
- the operating system release (CED).

*** The Compression Environment**

- the compression software name used to compress the data in the file (CED);
- the compression software version (CED);
- the compression software release (CED);
- the file size before compression (QTY);
- the file size after compression (QTY).

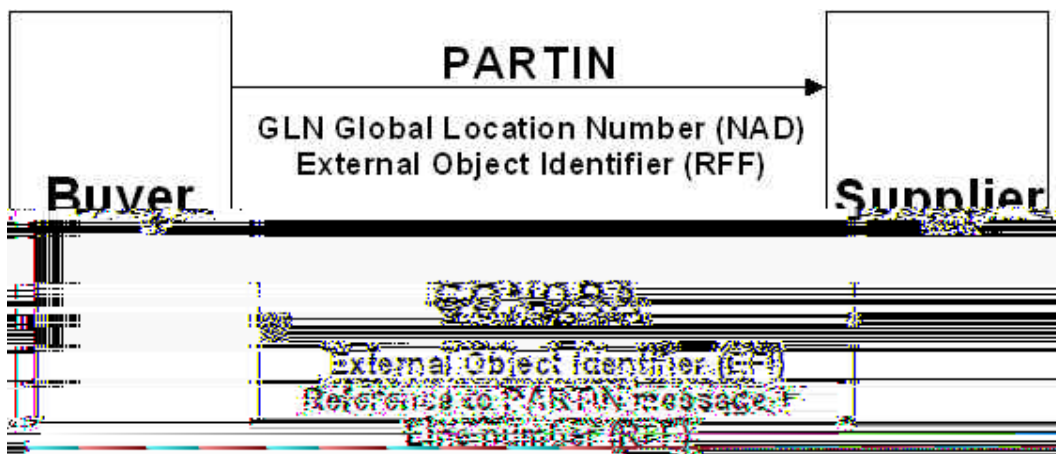
6. External Object Generation Date (DTM)

The date on which the external object was generated.

Rules for sending the CONDRA message

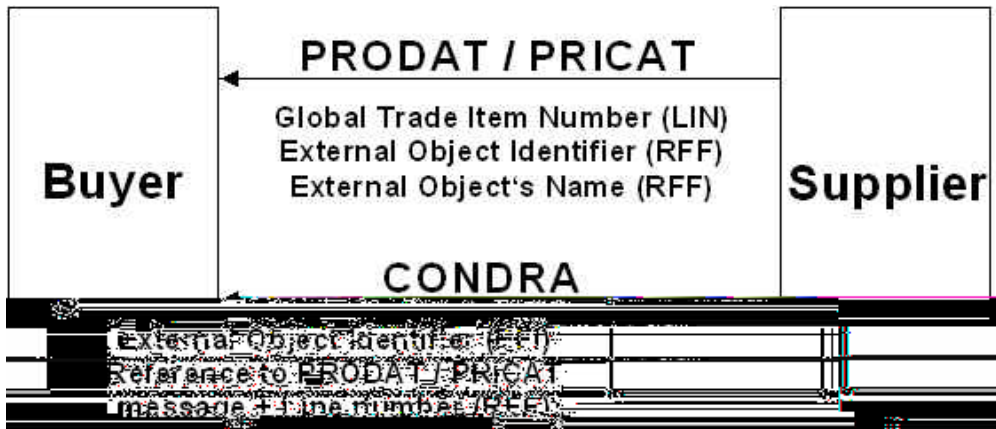
Within the recipient's application a link table should be held. Each time a CONDRA message is sent, the table should be updated. ALL the links of a product MUST be sent in the same CONDRA message. If the CONDRA message mentions an GTIN/GLN which is already in the link table, the existing link will be erased and replaced by the new one.

Example with a PARTIN message:

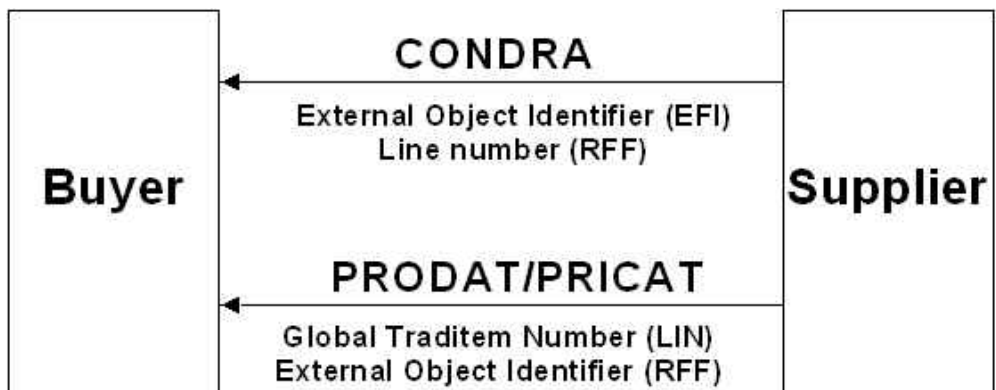


1. Introduction

Example with a PRODAT/PRICAT message sent before CONDRA:



Example with a CONDRA message sent before a PRODAT/PRICAT message:



The CONDRA message can be transmitted either before or after the PARTIN, PRODAT or PRICAT message.

Rules for sending the external object

It should be agreed by the partners whether it is needed to send the CONDRA message before the external object is sent.

Rules for the deletion of an external object

Since an external object may be related to several products, the external object can only be deleted if the updating of the link table reveals that the external object is no longer linked to any product.

2. Message Structure Chart

Drawing Administration Message Heading Section

UNH	1	M	1	- Message header
BGM	2	M	1	- Beginning of message
DTM	3	M	5	- Date/time/period
SG1		M	10	- RFF
RFF	4	M	1	- Reference
SG2		M	999	- NAD-SG4
NAD	5	M	1	- Name and address
SG4		C	10	- CTA-COM
CTA	6	M	1	- Contact information
COM	7	C	5	- Communication contact

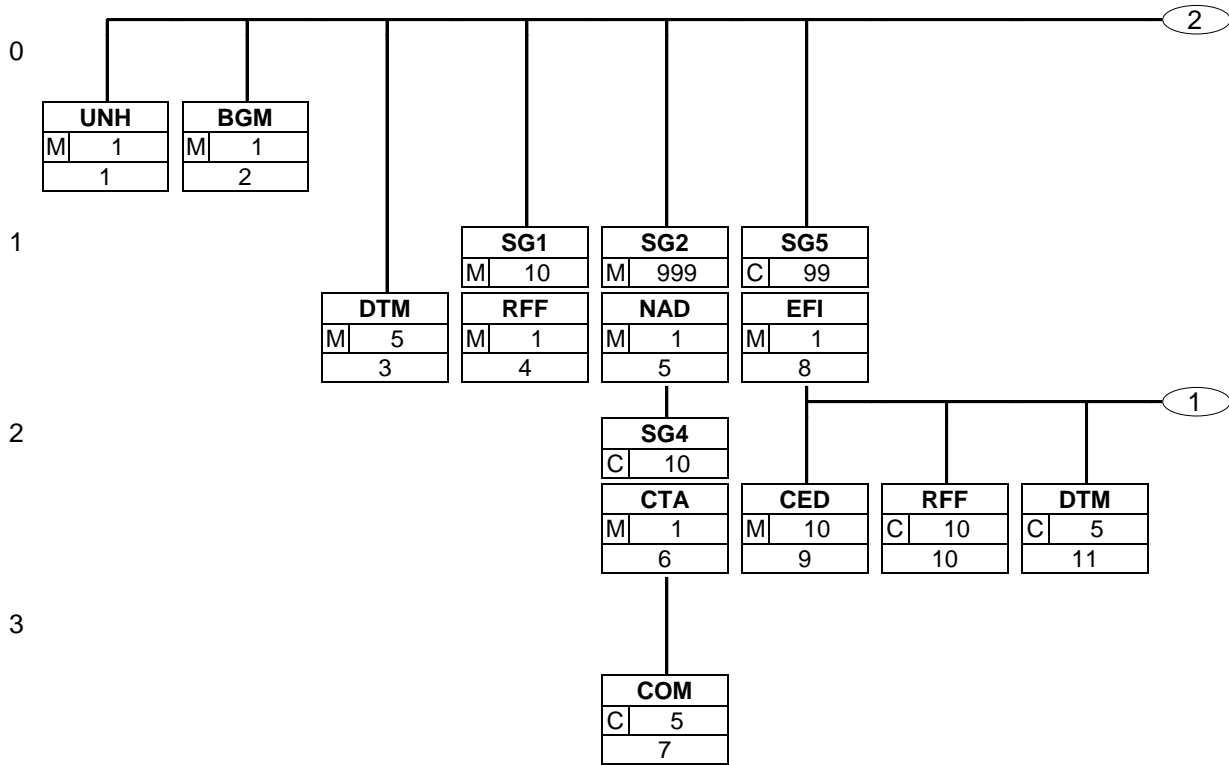
Drawing Administration Message Detail Section

SG5		C	99	- EFI-CED-RFF-DTM-QTY
EFI	8	M	1	- External file link identification
CED	9	M	10	- Computer environment details
RFF	10	C	10	- Reference
DTM	11	C	5	- Date/time/period
QTY	12	C	5	- Quantity

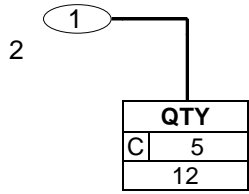
Drawing Administration Summary Section

UNT	13	M	1	- Message trailer
-----	----	---	---	-------------------

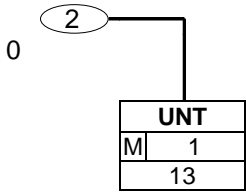
3. Branching Diagram



3. Branching Diagram



3. Branching Diagram



4. Segments Description

Drawing Administration Message Heading Section

- UNH - M 1 - Message header
This segment is used to head, identify and specify a message.
- BGM - M 1 - Beginning of message
This segment is used to indicate the type and function of a message and to transmit the identifying number.
- DTM - M 5 - Date/time/period
This segment is used to specify any dates related to the complete message.
- SG1** - M 10 - **RFF**
A group of segments used for quoting references and their relevant dates applicable to the message. For the building industry the following recommendation is given: in the first occurrence of this segment group the project references, if relevant, can be given, in order to identify the project to which this message relates. In any subsequent recurrence of this segment group, references to other messages (e.g. the original CONDRA when it is an update) or documents, relevant to this message, may be quoted.
- RFF - M 1 - Reference
This segment is used to provide references for the entire message.
- SG2** - M 999 - **NAD-SG4**
A group of segments identifying all the relevant parties with specific information about them that other business partner should know.
- NAD - M 1 - Name and address
This segment is used to identify the parties exchanging the message. Identification of the message sender and recipient is mandatory.
- SG4** - C 10 - **CTA-COM**
A group of segments giving contact details of the specific person or department within the party identified in the NAD segment.
- CTA - M 1 - Contact information
This segment is used to identify a contact department or name within the party specified in the NAD segment.
- COM - C 5 - Communication contact
This segment is used to provide the communications number and type of communications, for the person or department identified in the preceding CTA segment.

Drawing Administration Message Detail Section

- SG5** - C 99 - **EFI-CED-RFF-DTM-QTY**
A group of segments that refers through an external file identification to each of the external engineering/CAD files and giving additional information about each of the files.
- EFI - M 1 - External file link identification
This segment is used to identify an external object by indicating its identification, the format, and its sequence number on the physical medium.
- CED - M 10 - Computer environment details
This segment is used to give details of the physical medium used to generate the external object.
- RFF - C 10 - Reference
This segment is used to identify any other EANCOM message to which the external object is linked.

4. Segments Description

- DTM - C 5 - Date/time/period
This segment is used to indicate the date/time on which the external object was generated.
- QTY - C 5 - Quantity
This segment is used to identify the size/volume of the external object identified in the EFI segment.

Drawing Administration Summary Section

- UNT - M 1 - Message trailer
This segment is a mandatory UN/EDIFACT segment. It must always be the last segment in the message.

5. Segments Layout

This section describes each segment used in the EANCOM® Drawing Administration message. The original EDIFACT segment layout is listed. The appropriate comments relevant to the EANCOM® subset are indicated.

Notes:

1. The segments are presented in the sequence in which they appear in the message. The segment or segment group tag is followed by the (M)andatory / (C)onditional indicator, the maximum number of occurrences and the segment description.
2. Reading from left to right, in column one, the data element tags and descriptions are shown, followed by in the second column the EDIFACT status (M or C), the field format, and the picture of the data elements. These first pieces of information constitute the original EDIFACT segment layout.

Following the EDIFACT information, EANCOM® specific information is provided in the third, fourth, and fifth columns. In the third column a status indicator for the use of (C)onditional EDIFACT data elements (see 2.1 through 2.3 below), in the fourth column the restricted indicator (see point 3 on the following page), and in the fifth column notes and code values used for specific data elements in the message.

- 2.1 (M)andatory data elements in EDIFACT segments retain their status in EANCOM®.
- 2.2 Additionally, there are five types of status for data elements with a (C)onditional EDIFACT status, whether for simple, component or composite data elements. These are listed below and can be identified when relevant by the following abbreviations:

- REQUIRED	R	Indicates that the entity is required and must be sent.
- ADVISED	A	Indicates that the entity is advised or recommended.
- DEPENDENT	D	Indicates that the entity must be sent in certain conditions, as defined by the relevant explanatory note.
- OPTIONAL	O	Indicates that the entity is optional and may be sent at the discretion of the user.
- NOT USED	N	Indicates that the entity is not used and should be omitted.

- 2.3 If a composite is flagged as **N, NOT USED**, all data elements within that composite will have blank status indicators assigned to them.
3. Status indicators detailed in the fourth column which directly relate to the code values detailed in the fifth **column** may have two values:

- RESTRICTED	*	A data element marked with an asterisk (*) in the fourth column indicates that the listed codes in column five are the only codes available for use with this data element, in this segment, in this message.
- OPEN		All data elements where coded representation of data is possible and a restricted set of code values is not indicated are open (no asterisk in fourth column). The available codes are listed in the EANCOM® Data Elements and Code Sets Directory. Code values may be given as examples or there may be a note on the format or type of code to be used.

4. Different colours are used for the code values in the segment details: restricted codes are in red and open codes in blue.

5. Segments Layout

Segment number: 1

UNH - M 1 - Message header					
Function: To head, identify and specify a message.					
		EDIFACT	GS1	*	Description
0062	Message reference number	M an..14	M		Senders unique message reference. Sequence number of messages in the interchange. DE 0062 in UNT will have the same value. Generated by the sender.
S009	MESSAGE IDENTIFIER	M	M		
0065	Message type	M an..6	M	*	CONDRA = Drawing administration message
0052	Message version number	M an..3	M	*	D = Draft version/UN/EDIFACT Directory
0054	Message release number	M an..3	M	*	01B = Release 2001 - B
0051	Controlling agency	M an..2	M	*	UN = UN/CEFACT
0057	Association assigned code	C an..6	R	*	Indicates that the message is the EANCOM version 004 of the Drawing Administration Message. EAN004 = GS1 version control number (GS1 Permanent Code)
0068	Common access reference	C an..35	N		
S010	STATUS OF THE TRANSFER	C	N		
0070	Sequence of transfers	M n..2			
0073	First and last transfer	C a1			
<p>Segment Notes:</p> <p>This segment is used to head, identify and specify a message. DE's 0065, 0052, 0054 and 0051: Indicate that the message is a UNSM Drawing administration message based on the D.01B directory under the control of the United Nations.</p> <p>Example: UNH+ME000001+CONDRA:D:01B:UN:EAN004'</p>					

5. Segments Layout

Segment number: 2

BGM - M 1 - Beginning of message				
Function: To indicate the type and function of a message and to transmit the identifying number.				
		EDIFACT	GS1	* Description
C002	DOCUMENT/MESSAGE NAME	C	R	
1001	Document name code	C an..3	R	* 174 = Drawing
1131	Code list identification code	C an..17	N	
3055	Code list responsible agency code	C an..3	N	
1000	Document name	C an..35	N	
C106	DOCUMENT/MESSAGE IDENTIFICATION	C	R	
1004	Document identifier	C an..35	R	Number of the CONDRA document assigned by the document sender. For global unique identification of documents Global Document Type Identifier (GDTI) is available.
1056	Version identifier	C an..9	N	
1060	Revision identifier	C an..6	N	
1225	Message function code	C an..3	R	* 9 = Original 4 = Change 7 = Duplicate
4343	Response type code	C an..3	N	
Segment Notes: This segment is used to indicate the type and function of a message and to transmit the identifying number. Example: BGM+174+100001+9'				

5. Segments Layout

Segment number: 3

DTM - M 5 - Date/time/period					
Function: To specify date, and/or time, or period.					
		EDIFACT	GS1	*	Description
C507	DATE/TIME/PERIOD	M	M		
2005	Date or time or period function code qualifier	M an..3	M	*	137 = Document/message date/time
2380	Date or time or period value	C an..35	R		
2379	Date or time or period format code	C an..3	R		102 = CCYYMMDD

Segment Notes:

This segment is used to specify any dates related to the complete message.
 DE 2005: Identification of the 'Document/message date/time' (code value 137) is mandatory in an EANCOM message.

Example:
 DTM+137:20020830:102'
 The Drawing Administration Message was created on the 30th of August 2002.

5. Segments Layout

Segment number: 4

SG1	- M	10 - RFF			
RFF	- M	1 - Reference			
Function:					
To specify a reference.					
		EDIFACT	GS1	*	Description
C506	REFERENCE	M	M		
1153	Reference code qualifier	Man..3	M		AER = Project specification number APF = Price/sales catalogue response reference number PL = Price list number
1154	Reference identifier	C an..70	R		
1156	Document line identifier	C an..6	N		
4000	Reference version identifier	C an..35	N		
1060	Revision identifier	C an..6	N		
Segment Notes:					
This segment is used to provide references for the entire message.					
Example:					
RFF+AER:566241'					

5. Segments Layout

Segment number: 5

SG2	- M	999 - NAD-SG4			
NAD	- M	1 - Name and address			
Function:					
To specify the name/address and their related function, either by C082 only and/or unstructured by C058 or structured by C080 thru 3207.					
		EDIFACT	GS1	*	Description
3035	Party function code qualifier	M an..3	M		BY = Buyer MR = Message recipient MS = Document/message issuer/sender SU = Supplier
C082	PARTY IDENTIFICATION DETAILS	C	A		
3039	Party identifier	M an..35	M		For identification of parties it is recommended to use GLN - Format n13.
1131	Code list identification code	C an..17	N		
3055	Code list responsible agency code	C an..3	R	*	9 = GS1
C058	NAME AND ADDRESS	C	O		This composite may only be used to fulfill the requirements of directive 2003/58/EC, article 4.
3124	Name and address description	M an..35	M		
3124	Name and address description	C an..35	O		
3124	Name and address description	C an..35	O		
3124	Name and address description	C an..35	O		
3124	Name and address description	C an..35	O		
C080	PARTY NAME	C	D		
3036	Party name	M an..35	M		Party Name in clear text
3036	Party name	C an..35	O		
3036	Party name	C an..35	O		
3036	Party name	C an..35	O		
3036	Party name	C an..35	O		
3045	Party name format code	C an..3	O		
C059	STREET	C	D		
3042	Street and number or post office box identifier	M an..35	M		Building Name/Number and Street
3042	Street and number or post office box identifier	C an..35	O		Name and/or P.O. Box
3042	Street and number or post office box identifier	C an..35	O		
3042	Street and number or post office box identifier	C an..35	O		
3164	City name	C an..35	D		City/Town, clear text.
C819	COUNTRY SUB-ENTITY DETAILS	C	D		
3229	Country sub-entity name code	C an..9	O		
1131	Code list identification code	C an..17	O		

5. Segments Layout

Segment number: 5

	EDIFACT	GS1	*	Description
3055 Code list responsible agency code	C an..3	O		
3228 Country sub-entity name	C an..70	O		County/State, clear text.
3251 Postal identification code	C an..17	D		Postal Code
3207 Country name code	C an..3	D		ISO 3166 two alpha code

Segment Notes:

This segment is used to identify the parties exchanging the message. Identification of the message sender and recipient is mandatory.

Example:

NAD+SU+5071615111110::9'
 NAD+BY+5098765111111::9'

Dependency Notes :

The following composites and data elements are only used when a coded name and address can not be used.
 The affected composites and data elements are as follows:
 C080 - C059 - 3164 - C819 - 3251 - 3207

5. Segments Layout

Segment number: 6

SG2	- M	999 - NAD-SG4		
SG4	- C	10 - CTA-COM		
CTA	- M	1 - Contact information		
Function:				
To identify a person or a department to whom communication should be directed.				
	EDIFACT	GS1	*	Description
3139	Contact function code	C an..3	R	IC = Information contact
C056	DEPARTMENT OR EMPLOYEE DETAILS	C	O	
3413	Department or employee name code	C an..17	O	
3412	Department or employee name	C an..35	O	
Segment Notes:				
This segment is used to identify a contact department or name within the party specified in the NAD segment. The use of Global Location Numbers GLN - Format n13 - is particularly suitable for this purpose.				
Example:				
CTA+IC+5412345000006'				
The information contact is identified by means of the Global Location Number GLN 5412345000006.				

5. Segments Layout

Segment number: 7

SG2	- M	999 - NAD-SG4			
SG4	- C	10 - CTA-COM			
COM	- C	5 - Communication contact			
Function:					
To identify a communication number of a department or a person to whom communication should be directed.					
		EDIFACT	GS1	*	Description
C076	COMMUNICATION CONTACT	M	M		
3148	Communication address identifier	Man..512	M		
3155	Communication address code qualifier	Man..3	M		EI = EDI EM = Electronic mail TE = Telephone AO = Uniform Resource Location (URL)
Segment Notes:					
This segment is used to provide the communications number and type of communications, for the person or department identified in the preceding CTA segment.					
Example:					
COM+004461879523:FX'					

5. Segments Layout

Segment number: 8

SG5	- C	99 - EFI-CED-RFF-DTM-QTY		
EFI	- M	1 - External file link identification		
Function:				
To specify the link of one non-EDIFACT external file to an EDIFACT message.				
	EDIFACT	GS1	*	Description
C077	FILE IDENTIFICATION	M	M	
1508	File name	C an..35	R	External Object Identification This data element is used to provide the external object's identification.
7008	Item description	C an..256	O	
C099	FILE DETAILS	C	R	
1516	File format name	Man..17	M	This data element is used to describe the format of the external object. If the object is a computer file the format may be BMP, PCX. If the external object is a video, the format may be SECAM, PAL, etc... If the object is in a physical form such as paper or transparencies, this data element should be filled with "OTHER".
1056	Version identifier	C an..9	N	
1503	Data format description code	C an..3	R	3 = Binary 4 = Analogue
1502	Data format description	C an..35	N	
1050	Sequence position identifier	C an..10	O	Sequence number on the physical medium
9450	File compression technique name	C an..35	N	
Segment Notes:				
This segment is used to identify an external object by indicating its identification, the format, and its sequence number on the physical medium.				
Example:				
EFI+ECRSTRUC+BMP::3'				
The object is a binary file named ECRSTRUC.				

5. Segments Layout

Segment number: 9

SG5	- C	99 - EFI-CED-RFF-DTM-QTY	
CED	- M	10 - Computer environment details	
Function:			
To give a precise definition of all necessary elements belonging to the configuration of a computer system like hardware, firmware, operating system, communication (VANS, network type, protocol, format) and application software.			
	EDIFACT	GS1 *	Description
1501	Computer environment details code qualifier M an..3	M	2 = Operating system 3 = Application software 5 = Sending system
C079	COMPUTER ENVIRONMENT IDENTIFICATION M	M	
1511	Computer environment name code C an..3	R	1E = CD-ROM (GS1 Permanent Code) 2E = Generating software (GS1 Permanent Code) 3E = Compression software (GS1 Permanent Code) 4E = Compression method (GS1 Permanent Code) 5E = Physical medium name (GS1 Permanent Code) 6E = Original medium type (GS1 Permanent Code)
1131	Code list identification code C an..17	O	
3055	Code list responsible agency code C an..3	D	9 = GS1
1510	Computer environment name C an..35	A	
1056	Version identifier C an..9	A	
1058	Release identifier C an..9	A	
7402	Object identifier C an..35	N	
9448	File generation command name C an..35	N	
Segment Notes:			
This segment is used to give details of the physical medium used to generate the external object. This segment can indicate the external object's exchange medium (e.g. a CD-ROM, a diskette, tele-transmission,...), generating environment (i.e. the generating software), compression environment (i.e. the compression software used), compression method, system environment (i.e. the operating system), the physical medium name, the original medium type.			
Example: CED+3+1E::9'			

5. Segments Layout

Segment number: 10

SG5	- C	99 - EFI-CED-RFF-DTM-QTY			
RFF	- C	10 - Reference			
Function: To specify a reference.					
		EDIFACT	GS1	*	Description
C506	REFERENCE	M	M		
1153	Reference code qualifier	Man..3	M		PL = Price list number YA1 = Product specification reference number (GS1 Temporary Code)
1154	Reference identifier	C an..70	O		
1156	Document line identifier	C an..6	O		
4000	Reference version identifier	C an..35	N		
1060	Revision identifier	C an..6	N		
Segment Notes: This segment is used to identify any other EANCOM message to which the external object is linked. Example: RFF+PL::28'					

5. Segments Layout

Segment number: 11

SG5	- C	99 - EFI-CED-RFF-DTM-QTY		
DTM	- C	5 - Date/time/period		
Function:				
To specify date, and/or time, or period.				
	EDIFACT	GS1	*	Description
C507	DATE/TIME/PERIOD	M	M	
2005	Date or time or period function code qualifier	Man..3	M	706 = File generation date and/or time
2380	Date or time or period value	C an..35	R	
2379	Date or time or period format code	C an..3	R	203 = CCYYMMDDHHMM
Segment Notes:				
This segment is used to indicate the date/time on which the external object was generated.				
Example:				
DTM+706:200205021200:203'				

5. Segments Layout

Segment number: 12

SG5	- C	99 - EFI-CED-RFF-DTM-QTY		
QTY	- C	5 - Quantity		
Function:				
To specify a pertinent quantity.				
	EDIFACT	GS1	*	Description
C186	QUANTITY DETAILS	M	M	
6063	Quantity type code qualifier	Man..3	M	399 = File size before compression 400 = File size after compression
6060	Quantity	Man..35	M	
6411	Measurement unit code	C an..3	R	KB = kilocharacter
Segment Notes:				
This segment is used to identify the size/volume of the external object identified in the EFI segment.				
Example:				
QTY+399:12:KB'				

5. Segments Layout

Segment number: 13

UNT - M 1 - Message trailer					
Function: To end and check the completeness of a message.					
		EDIFACT	GS1	*	Description
0074	Number of segments in the message	M n..6	M		The total number of segments in the message.
0062	Message reference number	M an..14	M		The message reference numbered detailed here should equal the one specified in the UNH segment.
Segment Notes: This segment is a mandatory UN/EDIFACT segment. It must always be the last segment in the message. Example: UNT+13+ME000001'					

6. Examples

The following is an example of the Drawing Administration message putting a link between a file called ECRSTRUC on a CD and an article with GTIN 5412345123453 which was mentioned in a previous PRICAT message with number 541073.

UNH+ME00001+CONDRA:D:01B:UN:EAN003'	Message Header
BGM+174+10001+9'	Drawing Administration message with number 10001
DTM+137:20020830:102'	Message date 30th of August 2002.
RFF+AER:566241'	Reference to project specification number 566241.
NAD+MR+5071615111110::9'	Supplier identified by GLN 5071615111110
NAD+MS+5098765111111::9'	Buyer identified by GLN 5098765111111
EFI+ECRSTRUC+BMP : :3'	The name of the binary file is ECRSTRUC.
CED+3+1E : :9'	The object's exchange medium is a CD-ROM.
RFF+PL:541073:6'	The object is related to line 6 from the PRICAT message number 541073.
DTM+706:200205021200:203'	The object was generated at 1200 on the 2nd of May 2002.
UNT+11+ME00001'	Total numbers of segments in the message equals 11.

Note:

The EDI interchange will include the UNB..UNZ segments and, if applicable, the UNG..UNE segments. (See part 1 section 5.7).